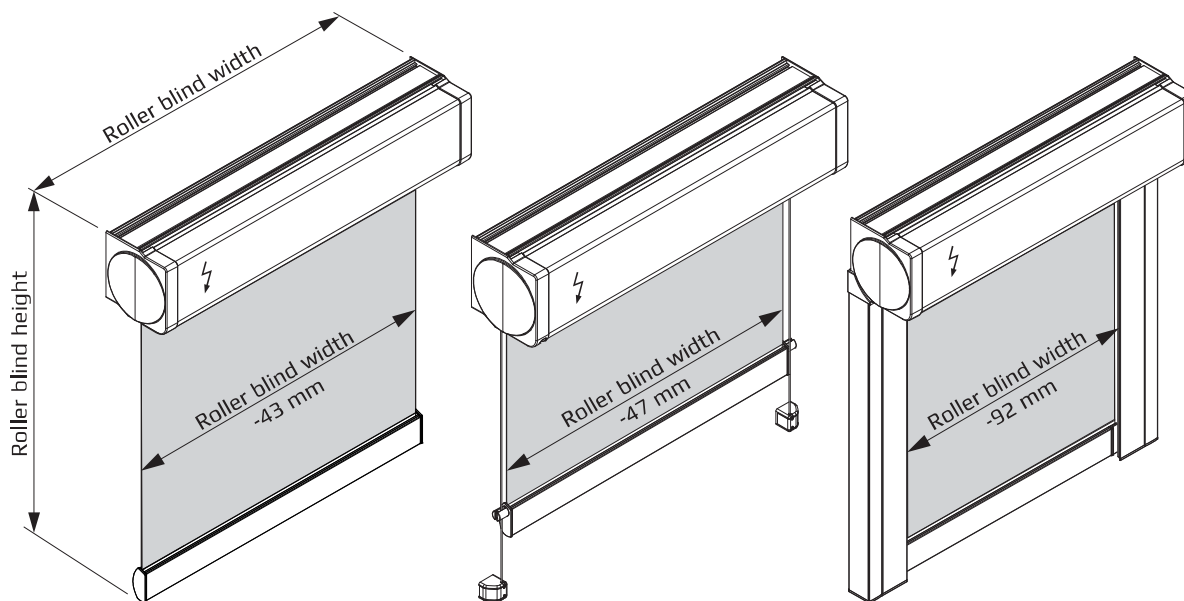


RM36 - Medium Roller blind with angular cassette profile and motor operation.
Optional with cord guiding and side profile.



**Dimensions/
Roller blind measures**

- **Width** : min. 0.40 m (depending on the motor)
max. 2.80 m (depending on the fabric)
max. 1.40 m per blind when 2 roller blinds are coupled (depending on the fabric)
max. 0.90 m per blind when 3 roller blinds are coupled (depending on the fabric)
- **Height** : max. 3.00 m (depending on the fabric)
max. braking force 5.0 kg (depending on the motor)
- **Fabric** : max. 5.0 kg (depending on the motor)
- **Coupling** : up to 3 blinds of the same type with an integrated operation, optional with cord guiding

Gear/Hardware

- **Motor drive** in the roller blind shaft.
The blind can be operated by a switch or remote control to enable an exact, free adjustment of the fabric in any desired position.
- **Cassette angular** (76 x 75 mm) is made of extruded aluminium (Al Mg Si 0.5 F22) and mounted on round end caps.
- **Aluminium tube shaft** (Ø29.0/Ø38.0/Ø43.0/Ø44.0 mm) is made of extruded aluminium (Al Mg Si 0.5 F22).
- **Closing profile** (13 x 29 mm) is made of extruded aluminium (Al Mg Si 0.5 F22), and applicable for the cord guiding or side profile, tight brushes are usable. Additional weighting possible using Ø5 mm and/or 4 x 8 mm steel section.
- **Plastic parts** used are of high-grade, temperatur-resistant and abrasion-resistant material.
- **Cord guiding** at up to a max. 15° angle.
Steel cord (Ø0.8 mm) plastic-coated in black, grey, and white (Ø1.0 mm).
- **Side profile** (26 x 46 mm) is made of extruded aluminium (Al Mg Si 0.5 F22).
The end caps of the closing profile are guided in the side profile.
The fabric extends on both sides 24.5 mm into the side profile.
Interior and exterior brush seal (pile height 9 mm) optional (depending on mounting method).

Operation

- **Plug-in drive SOMFY Roll Up 28 WT – 24V**
Protection type: IP 30, rated torque: 0.8 Nm, rated speed: 42 rpm, rated voltage: 24V, max. power consumption: 1 A, weight: 0.260 kg, length: 293 mm, connection: 2.0 m lead (2 x 0.205 mm²), for shaft Ø29.0 (fabric max. 4.5 kg)/Ø38.0 mm (fabric max. 3.5 kg).
- **Plug-in drive SOMFY Sonesse 30 RTS – 24V**
with integrated wireless receiver. Soft-start and soft-stop function and „my“ position.
Protection type: IP 30, rated torque: 2 Nm, rated speed: 28 rpm, rated voltage: 24V, weight: 0.495 kg, length: 450 mm, connection: 2.0 m lead (2 x 0.25 mm²), radio frequency 433,42 MHz, for shaft Ø38.0/Ø43.0 mm (fabric max. 5 kg).
- **Plug-in drive SOMFY Sonesse 40 – 230 V**
Protection type: IP 44, rated torque: 3 Nm, rated speed: 30 rpm, rated voltage: 230 V, rate: 50 Hz, max. power consumption: 0.44 A, rated power: 95 W, weight: 1.125 kg, length: 478 mm, connection: 2.5 m lead (3 x 0.75 mm²), for shaft Ø44.0 mm (fabric max. 5 kg).

RM36 - Medium Roller blind with angular cassette profile and motor operation.
Optional with cord guiding and side profile.

- **Plug-in drive SOMFY Sonesse 40 RTS – 230 V**

Protection type: IP 44, rated torque: 3 Nm, rated speed: 30 rpm, rated voltage: 230 V, rate: 50 Hz, max. power consumption: 0.44 A, rated power: 95 W, weight: 1.225 kg, length: 517 mm, connection: 3.0 m Leitung (3 x 0.75 mm²), for shaft Ø44.0 mm (fabric max. 5 kg).

- **Motor side:** optional left or right.

Colours

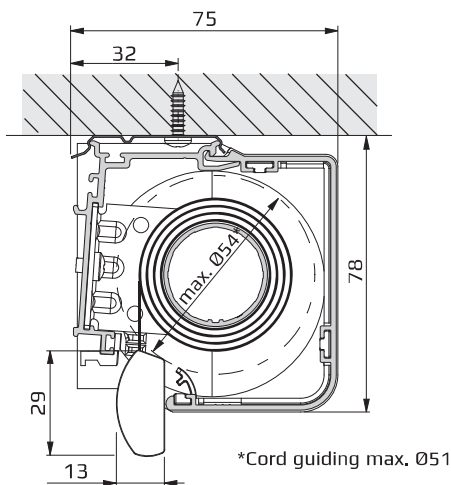
- **Cassette angular** (76 x 75 mm) is technically anodised according to E6/EV1 in silver or powder-coated white (RAL 9016), black (RAL 9005) and beige (RAL 1015).
- **Closing profile** (13 x 29 mm) is technically anodised according to E6/EV1 in silver or powder-coated white (RAL 9016), black (RAL 9005) and beige (RAL 1015).
- **Side profile** (26 x 46 mm) is technically anodised according to E6/EV1 in silver or powder-coated white (RAL 9016), black (RAL 9005) and beige (RAL 1015).

Mounting

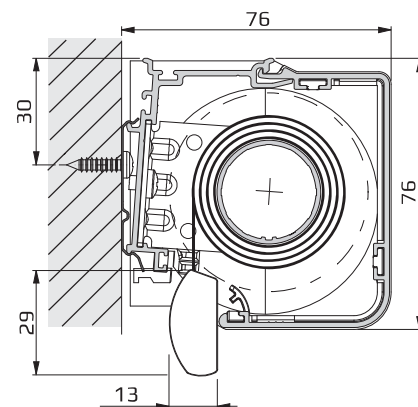
- **Clip mounting** on the wall or ceiling.
- **Cord guiding** screwed directly on the holder (plastic).
- **Side profile** screwed directly on the ceiling or in the reveal, alternatively wall mounting with clip.

Mounting

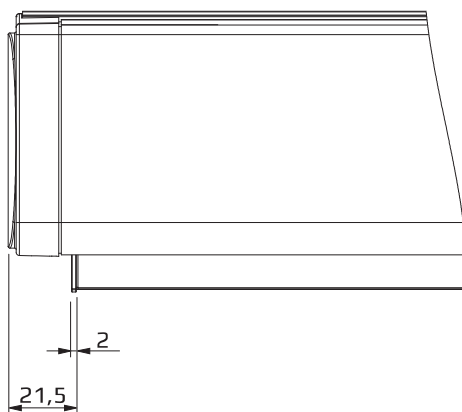
Ceiling mounting



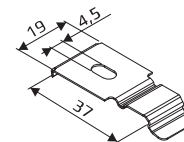
Wall mounting



Dimensions



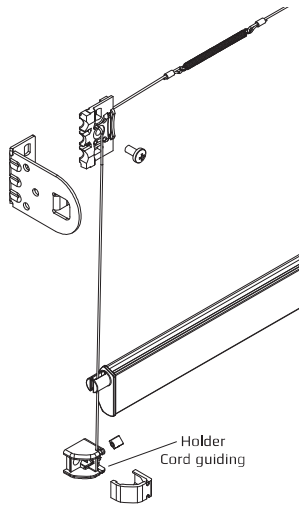
Clip for cassette and side profile



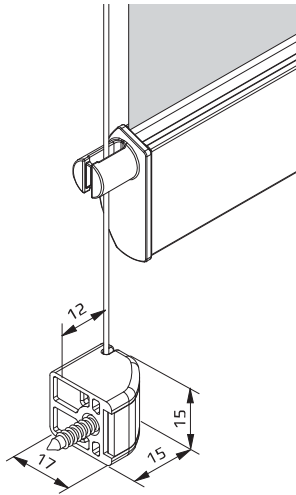
Type RM36

RM36 - Medium Roller blind with angular cassette profile and motor operation.
Optional with cord guiding and side profile.

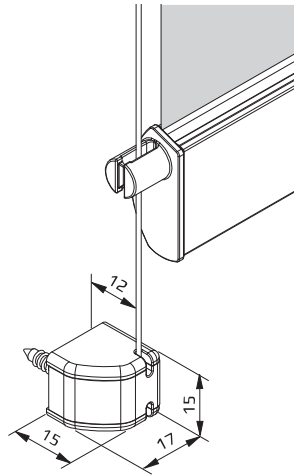
Cord guiding



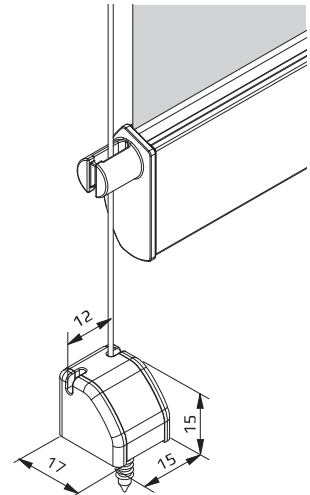
Reveal mounting



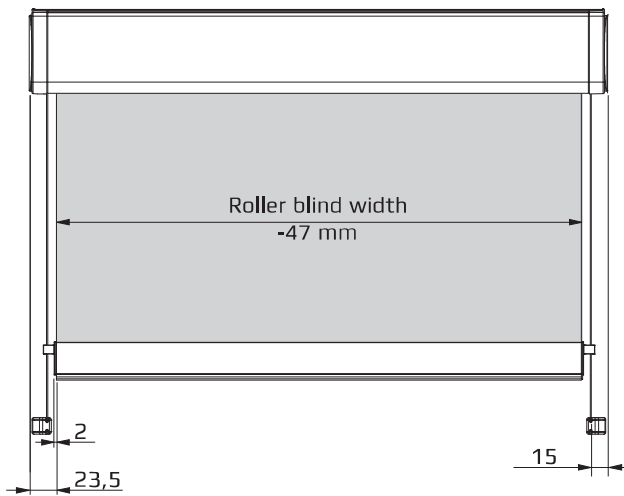
Wall mounting



Base mounting

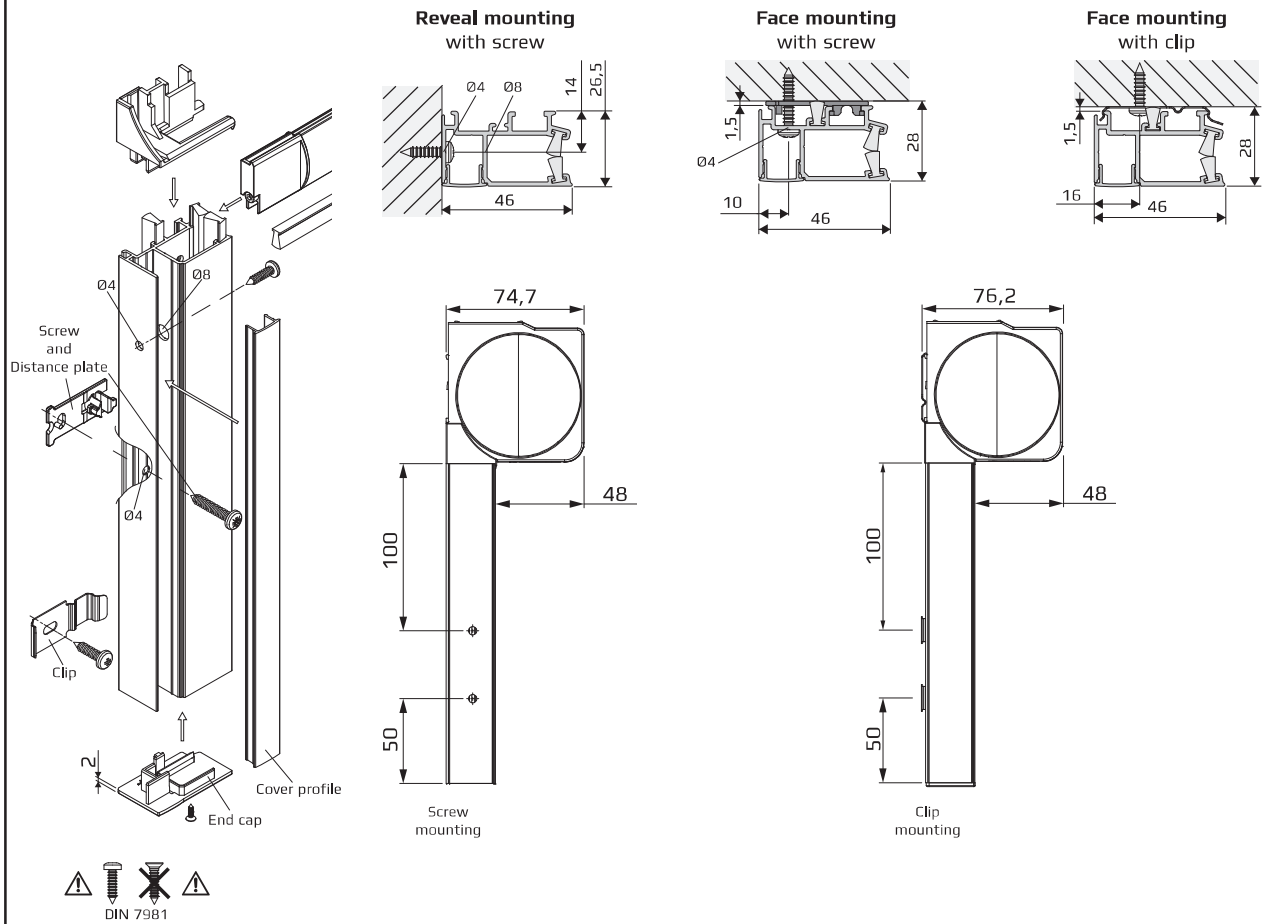


Dimensions

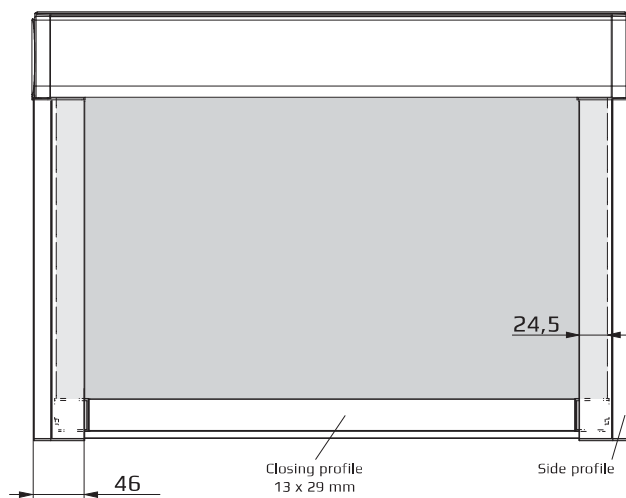


**RM36 - Medium Roller blind with angular cassette profile and motor operation.
Optional with cord guiding and side profile.**

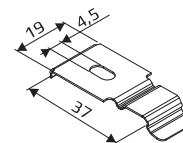
Side profile



Dimensions



Clip for cassette and side profile



Stipulations of the European Standard **EN 13120:2009+A1:2014**
„Internal Blinds – Performance Requirements including Safety“



WARNING



- Young children can strangle in the loop of pull cords, tapes and cords that operate window coverings.
They can also wrap cords around their necks.
- To avoid strangulation and entanglement, keep cords out of reach of young children.
- Move beds, cots and furniture away from window covering cords.
- Do not tie cords together.
Make sure cords do not twist and create a loop.
- Install and use the included safety devices according to the installation instructions on these device to reduce possibility of such an accident.



All types operated with: Chain

The operation chain is **equipped with the Chain safety device!**

The operation length is in compliance with the Child Safety freely selectable

Mounting height is **known**:

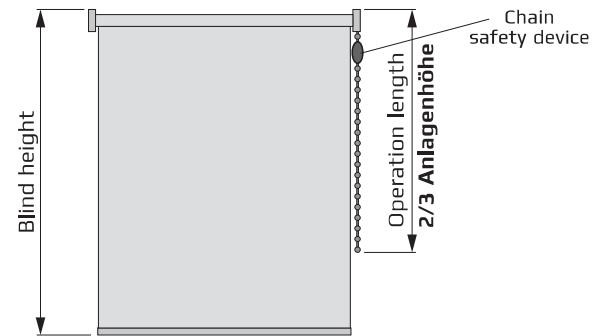
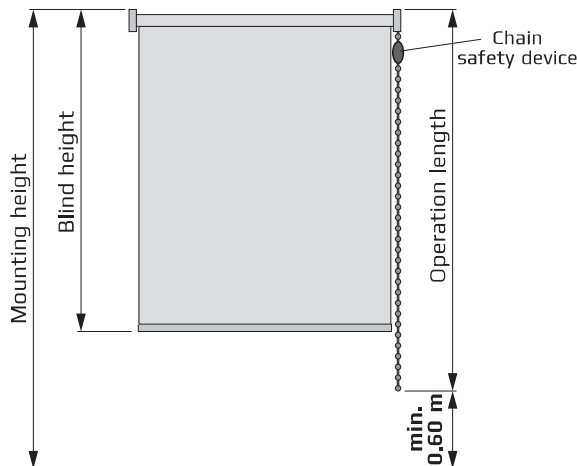
-> max. operation length = mounting height - 0.60 m

Mounting height is **unknown**:

-> max. operation length = 2/3 of the blind height

Mounting height is **known**

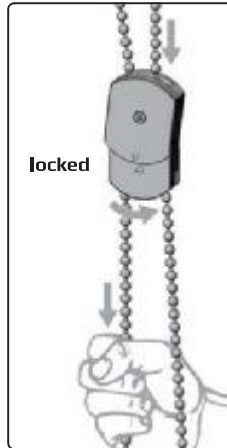
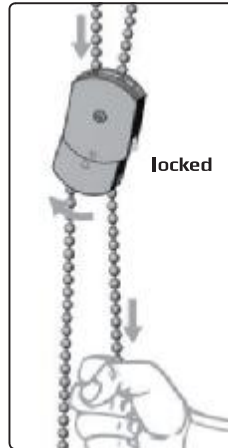
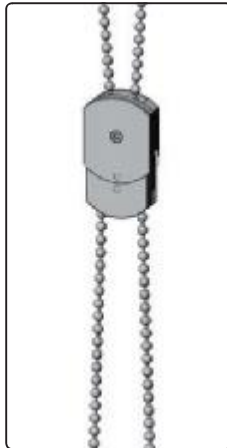
Mounting height is **unknown**



Basic position

Operation

Child safety



A release mechanism triggers when a load (6 kg or even less) is applied to the chain loop

All types with operations: Chain without Chain safety device ⚠

The operation chain must be **fixed with the included safety device!**

The operation length is in compliance with the Child Safety freely selectable.

Mounting height is **known**:

-> max. operation length = mounting height - 1.50 m

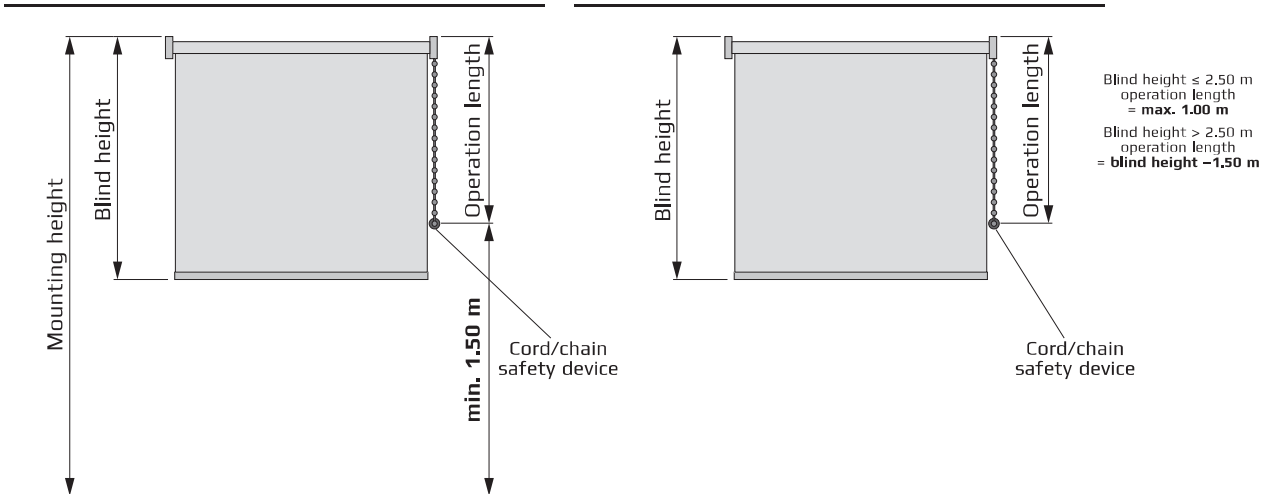
Mounting height is **unknown**:

Blind height ≤ 2.50 m -> max. operation length = 1.00 m

Blind height > 2.50 m -> max. operation length = blind height - 1.50 m

Mounting height is **known**

Mounting height is **unknown**



Cord/Chain safety device

